

AJPE

alan johnson performance engineering

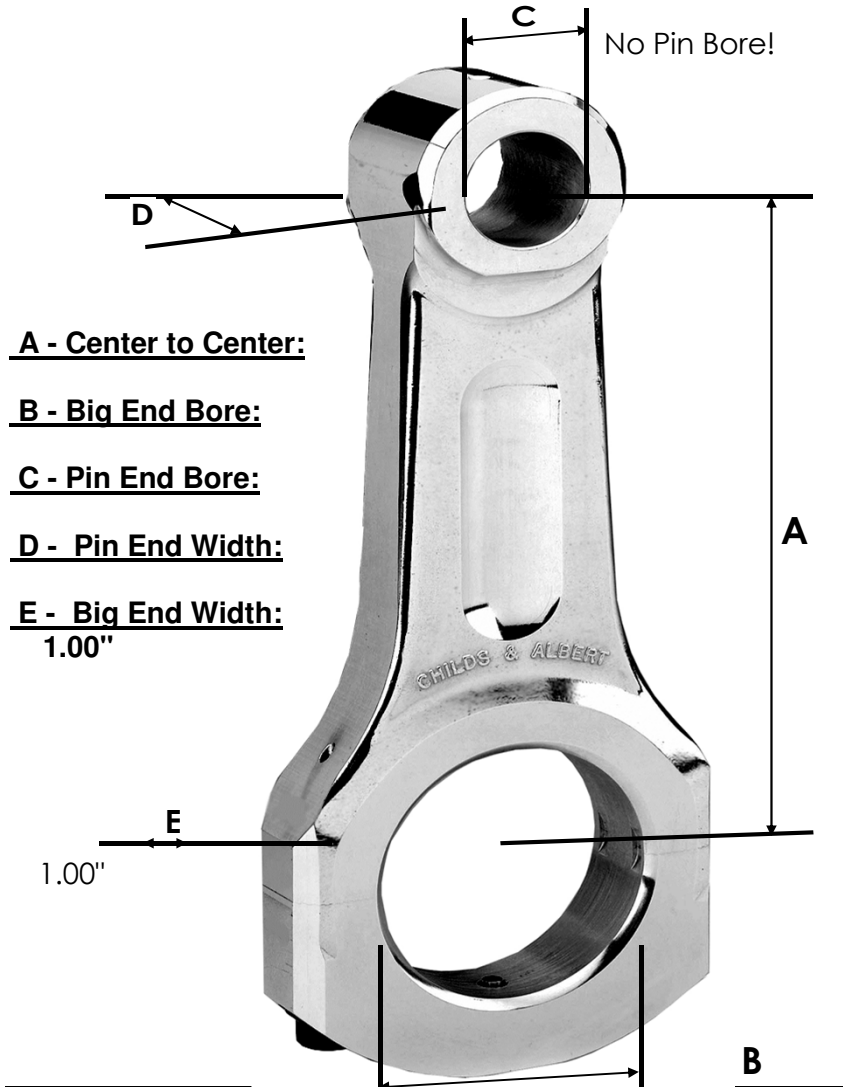
ph (805) 922-1202 fax (805) 349-7129
 1097 Foxen Canyon Rd. Santa Maria, CA 93454
 www.alanjohnsonperformance.com

Special Deep Cycle Aluminum Rod Order Form

Please complete and/or review all specifications. Write in any changes or special instructions, confirm each dimension with a check mark, then sign and return ASAP. All aluminum rods require a deposit to initiate production — Cashier's Check, Money Order or Credit Card (AMEX, DISC, M/C, VISA) accepted. No cancellations or changes after production has started. Minimum quantity on all aluminum rod orders is four (4) pieces.

Name: AJPE Date: _____
 Company: _____
 Address: _____
 City: _____ State: _____ Zip: _____
 Phone: _____ Fax: _____
 Email: _____
 AJPE s/o # _____ AJPE p/o#: _____

Piston Make: _____ Pin Boss Spread: _____
 Forging: 400 DEEP CYCLE
 Quantity: _____ PART #: _____
 Dimensions: A: _____ B: _____
 C: _____ D: _____ E: _____
 Clearance — Cam: YES NO Crank CW: YES NO
 Target Weight B/E wt: _____ Total wt: _____



A - Center to Center:

B - Big End Bore:

C - Pin End Bore:

D - Pin End Width:

E - Big End Width:
 1.00"

Special Instructions: _____ _____ _____	COMPANY USE ONLY SHIPPED: _____ INV #: _____
---	---